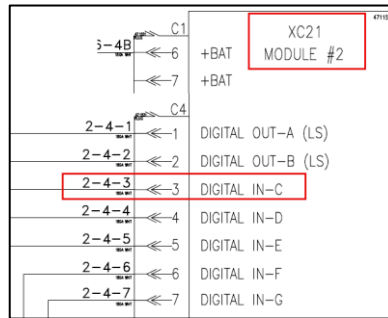


## Reading Module Inputs and Outputs

Ex: 2-4-3

- **Module 2**
- **Connector 4**
- **Pin 3**



PUSHBUTTONS						
MOMENTARY CONTACT				MAINTAINED CONTACT		ILLUMINATED
SINGLE CIRCUIT	DOUBLE CIRCUIT	MUSHROOM HEAD	WOBBLE STICK	TWO SINGLE CIRCUIT	ONE DOUBLE CIRCUIT	
NO	NO AND NC					
NC						

LIMIT SWITCHES		FOOT SWITCHES	PRESSURE AND VACUUM SWITCHES	LIQUID LEVEL SWITCH	TEMPERATURE-ACTUATED SWITCH	FLOW SWITCH (AIR, WATER, ETC.)
NORMALLY OPEN	NORMALLY CLOSED					
		NO	NO	NO	NO	NO
		NC	NC	NC	NC	NC

METER (INSTRUMENT)				PILOT LIGHTS	
INDICATE TYPE BY LETTER	TO INDICATE FUNCTION OF METER OR INSTRUMENT, PLACE SPECIFIED LETTER OR LETTERS WITHIN SYMBOL.			INDICATE COLOR BY LETTER	
	AM or A	VA	VARH	NON PUSH-TO-TEST	PUSH-TO-TEST
	AMMETER	VOLTMETER	VARHOUR METER		
	AMPERE HOUR	VARMETER	VARHOUR METER		
	μA MICROAMMETER	WATTMETER	WATTHOUR METER		
	mA MILLAMMETER				
	PF POWER FACTOR				
	V VOLTMETER				

DC MOTORS				WIRING		
ARMATURE	SHUNT FIELD	SERIES FIELD	COMM OR COMPENS FIELD	NOT CONNECTED	POWER	WIRING TERMINAL
	SHOW 4 LOOPS	SHOW 3 LOOPS	SHOW 2 LOOPS			
				CONNECTED	CONTROL	GROUND

